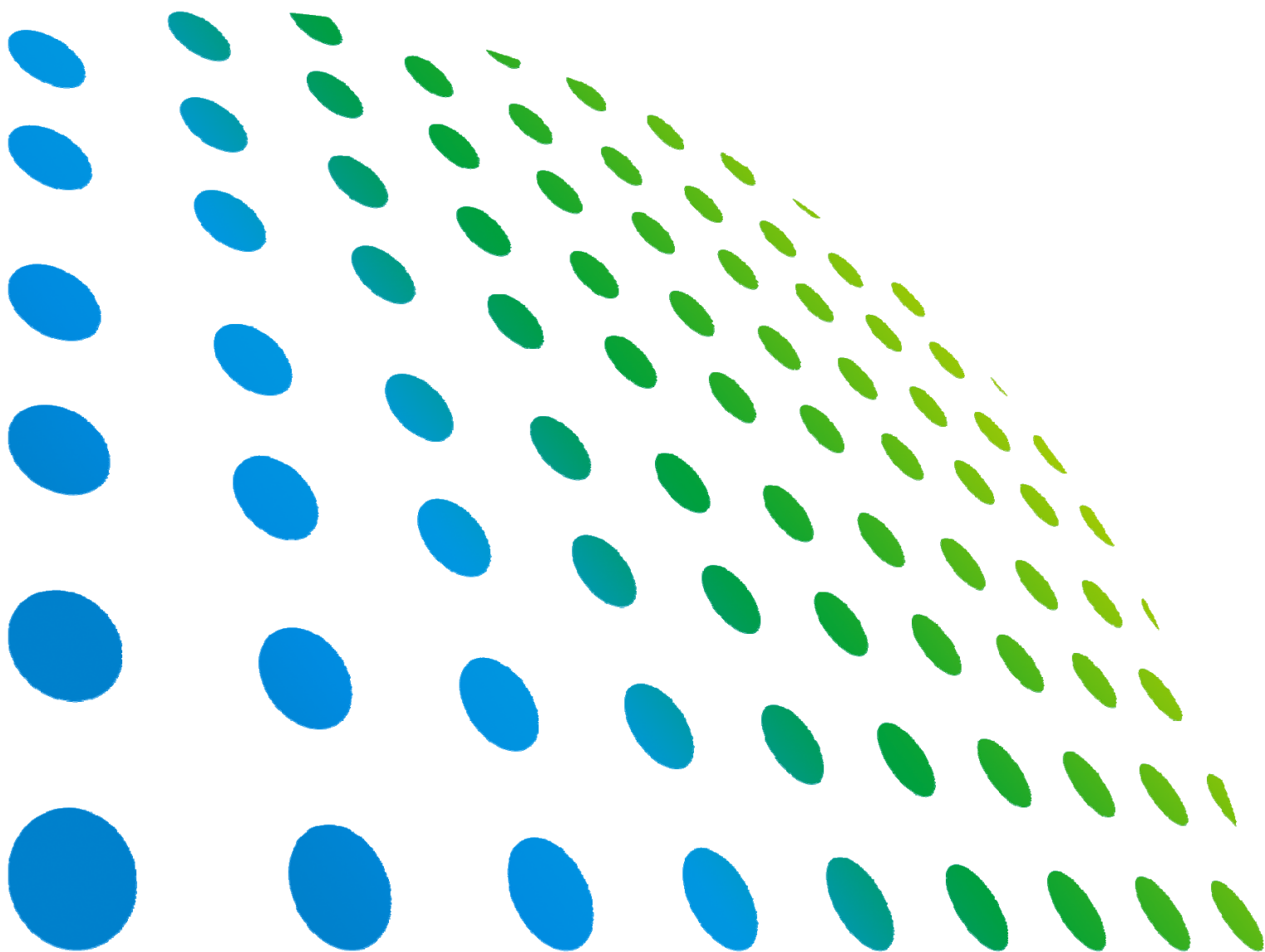




Programmable AC Source

6404/6408

User's Manual



Programmable AC Source 6404/6408 User's Manual



Version 1.5
June 2014
P/N A11 000020

Legal Notices

The information in this document is subject to change without notice.

Chroma ATE INC. makes no warranty of any kind with regard to this manual, including, but not limited to, the implied warranties of merchantability and fitness for a particular purpose. Chroma ATE INC. shall not be held liable for errors contained herein or direct, indirect, special, incidental or consequential damages in connection with the furnishing, performance, or use of this material.

CHROMA ATE INC.

66 Hwaya 1st Rd., Kueishan Hwaya Technology Park, Taoyuan County 33383, Taiwan

Copyright Notices. Copyright 2002 Chroma ATE INC., all rights reserved. Reproduction, adaptation, or translation of this document without prior written permission is prohibited, except as allowed under the copyright laws.

Warranty

All of Chroma's instruments are warranted against defects in material and workmanship for a period of one year from date of shipment. Chroma agrees to repair or replace any assembly or component found to be defective, under normal use during this period. Chroma's obligation under this warranty is limited solely to repairing any such instrument, which in Chroma's sole opinion proves to be defective within the scope of the warranty when returned to the factory or to an authorized service center. Purchaser is responsible for the shipping and cost of the service item to Chroma factory or service center. Shipment should not be made without prior authorization by Chroma.

This warranty does not apply to any products repaired or altered by persons not authorized by Chroma, or not in accordance with instructions furnished by Chroma. If the instrument is defective as a result of misuse, improper repair, or abnormal conditions or operations, repairs will be billed at cost.

Chroma assumes no responsibility for its product being used in a hazardous or dangerous manner either alone or in conjunction with other equipment. High voltage used in some instruments may be dangerous if misused. Special disclaimers apply to these instruments. Chroma assumes no liability for secondary charges or consequential damages and in any event, Chroma's liability for breach of warranty under any contract or otherwise, shall not exceed the purchase price of the specific instrument shipped and against which a claim is made.

Any recommendations made by Chroma regarding the use of its products are based upon tests believed to be reliable; Chroma makes no warranty of the results to be obtained. This warranty is in lieu of all other warranties, expressed or implied, and no representative or person is authorized to represent or assume for Chroma any liability in connection with the sale of our products other than set forth herein.

CHROMA ATE INC.

66 Hwaya 1st Rd., Kueishan Hwaya Technology Park,
Taoyuan County 33383, Taiwan
Tel: 886-3-327-9999
Fax: 886-3-327-2886
e-mail: info@chromaate.com

<http://www.chromaate.com>

Material Contents Declaration

The recycling label shown on the product indicates the Hazardous Substances contained in the product as the table listed below.



: See <Table 1>.



: See <Table 2>.

<Table 1>

Part Name	Hazardous Substances					
	Lead	Mercury	Cadmium	Hexavalent Chromium	Polybrominated Biphenyls	Polybromodiphenyl Ethers
	Pb	Hg	Cd	Cr ⁶⁺	PBB	PBDE
PCBA	○	○	○	○	○	○
CHASSIS	○	○	○	○	○	○
ACCESSORY	○	○	○	○	○	○
PACKAGE	○	○	○	○	○	○

“○” indicates that the level of the specified chemical substance is less than the threshold level specified in the standards of SJ/T-11363-2006 and EU 2005/618/EC.

“×” indicates that the level of the specified chemical substance exceeds the threshold level specified in the standards of SJ/T-11363-2006 and EU 2005/618/EC.

Disposal

Do not dispose of electrical appliances as unsorted municipal waste; use separate collection facilities. Contact your local government for information regarding the collection systems available. If electrical appliances are disposed of in landfills or dumps, hazardous substances can leak into the groundwater and get into the food chain, damaging your health and well-being. When replacing old appliances with a new one, the retailer is legally obligated to take back your old appliances for disposal free of charge.



<Table 2>

Part Name	Hazardous Substances					
	Lead	Mercury	Cadmium	Hexavalent Chromium	Polybrominated Biphenyls	Polybromodiphenyl Ethers
	Pb	Hg	Cd	Cr ⁶⁺	PBB	PBDE
PCBA	×	○	○	○	○	○
CHASSIS	×	○	○	○	○	○
ACCESSORY	×	○	○	○	○	○
PACKAGE	○	○	○	○	○	○

“○” indicates that the level of the specified chemical substance is less than the threshold level specified in the standards of SJ/T-11363-2006 and EU 2005/618/EC.

“×” indicates that the level of the specified chemical substance exceeds the threshold level specified in the standards of SJ/T-11363-2006 and EU 2005/618/EC.

1. Chroma is not fully transitioned to lead-free solder assembly at this moment; however, most of the components used are RoHS compliant.
2. The environment-friendly usage period of the product is assumed under the operating environment specified in each product’s specification.

Disposal

Do not dispose of electrical appliances as unsorted municipal waste; use separate collection facilities. Contact your local government for information regarding the collection systems available. If electrical appliances are disposed of in landfills or dumps, hazardous substances can leak into the groundwater and get into the food chain, damaging your health and well-being. When replacing old appliances with a new one, the retailer is legally obligated to take back your old appliances for disposal free of charge.





Declaration of Conformity

For the following equipment :

Programmable AC Source

(Product Name/ Trade Name)

6404 & 6408

(Model Designation)

CHROMA ATE INC.

(Manufacturer Name)

66, Hwaya 1st Rd., Kueishan Hwaya Technology Park, Taoyuan County 33383, Taiwan

(Manufacturer Address)

Is herewith confirmed to comply with the requirements set out in the Council Directive on the Approximation of the Laws of the Member States relating to Electromagnetic Compatibility (2004/108/EC) and Low Voltage Directive (2006/95/EC). For the evaluation regarding the Directives, the following standards were applied :

EN 61326-1:2006 Class A, EN 61000-3-2:2006+A1:2009+A2:2009, EN 61000-3-3:2008

EN 61326-1:2006(Industrial locations)

EN 61000-4-2:2009, EN 61000-4-3:2006+A1:2008+A2:2010,

EN 61000-4-4:2004, EN 61000-4-5:2006, EN 61000-4-6:2009,

EN 61000-4-8:2010, EN 61000-4-11:2004

EN 61010-1:2010(Third Edition)

The following importer/manufacturer or authorized representative established within the EUT is responsible for this declaration :

CHROMA ATE INC.

(Company Name)

66, Hwaya 1st Rd., Kueishan Hwaya Technology Park, Taoyuan County 33383, Taiwan

(Company Address)

Person responsible for this declaration:

Mr. Vincent Wu

(Name, Surname)

T&M BU Deputy Director

(Position/Title)

Taiwan

(Place)

2014.05.09

(Date)

(Legal Signature)

Revision History

The following lists the additions, deletions and modifications in this manual at each revision.

Date	Version	Revised Sections
Dec. 1999	1.0	Complete this manual.
Jun. 2002	1.1	Reformat the manual style.
May 2005	1.2	Change the address and phone no. of Chroma.
Mar. 2007	1.3	Add " <i>Material Contents Declaration</i> ".
Jun. 2009	1.4	Modify the accuracy of the voltage for Measurement in the section of " <i>Specifications</i> " under " <i>Product Overview</i> " chapter .
Jun. 2014	1.5	Add " <i>Declaration of Conformity</i> ." Modify the input voltage specificaitons of Model 6404 and 6408. Modify the front and rear panel figures and descriptions in the section of " <i>Operational Panels</i> ."

Table of Contents

1.	Product Overview	1-1
1.1	Introduction	1-1
1.2	Key Features	1-1
1.3	Specifications	1-2
1.4	Operational Panels.....	1-4
1.4.1	Front Panel.....	1-4
1.4.2	Rear Panel	1-6
2.	Installation	2-1
2.1	Inspection	2-1
2.2	Preparation for Use	2-1
2.3	Input Power Requirements.....	2-1
2.3.1	Ratings	2-1
2.3.2	Input Connection	2-1
2.4	Output Connection	2-3
2.5	Remote Sense Connection	2-3
2.6	Power-on Procedure	2-3
2.7	I/O Connectors (Option).....	2-4
3.	Local Operation	3-1
3.1	Introduction	3-1
3.2	Set up.....	3-1
3.2.1	GPIB address.....	3-1
3.2.2	RS-232C	3-2
3.2.3	OVP.....	3-2
3.2.4	Sound (ON/OFF).....	3-3
3.2.5	System test	3-3
3.2.6	Power on status	3-4
3.3	Output Setting & Execution	3-4
3.3.1	I limit.....	3-5
3.3.2	Range.....	3-5
3.3.3	Output V & F	3-6
3.4	Save & Recall.....	3-6
3.5	Data Lock	3-7
3.6	Ext Prog	3-7
3.7	Measurement	3-8
3.7.1	Select Measurement Items	3-8
3.7.2	Measurement Functions.....	3-8
3.8	Local.....	3-8
3.9	Protection	3-9
4.	Theory of Operation	4-1
4.1	General	4-1
4.2	Overall System Description	4-1
4.3	AC/DC Power Stage Converter.....	4-2
4.4	DC/AC Inverter	4-2
4.5	CPU.....	4-3
4.6	Measurement & Sine wave Generator (B Board).....	4-3
4.7	Keyboard & Display.....	4-3
4.8	GPIB/RS-232C/External reference.....	4-3
5.	Self-test and Troubleshooting	5-1
5.1	General	5-1

5.2	Self-test Routine.....	5-1
5.3	Troubleshooting	5-1
6.	Remote Operation	6-1
6.1	General Information	6-1
6.2	GPIB Capability of the AC Source.....	6-1
6.3	Introduction to Programming.....	6-1
6.3.1	Conventions	6-1
6.3.2	Numerical Data Formats	6-2
6.3.3	Boolean Data Format	6-2
6.3.4	Character Data Format	6-3
6.3.5	Basic Definition	6-3
6.4	Traversal of the Command Tree	6-4
6.5	The AC Source Commands	6-4
6.5.1	Command Tree Table	6-4
6.5.2	Command Dictionary.....	6-6

1. Product Overview

1.1 Introduction

Chroma 6400 Series products, including 6404 and 6408, are high efficiency AC Power Sources that provide sine wave output with low distortion. The microprocessor controlled sine wave oscillator generates accurate and stable output voltages and frequencies. The PWM (Pulse Width Modulation) approach of the power stage allows for full volt—ampere and current rating into loads. The 6408 can supply up to 800 VA, the 6404, up to 375 VA. The accurate DSP (Digital Signal Processing) measurement capabilities provide independent verification of operating values, thus reducing the need for external measuring instruments.

The 6404/6408 Series AC Power Source is considerably smaller, lighter and more efficient than traditional supplies with a similar output power capability.

This manual contains descriptions of Chroma 6404/6408 Programmable AC source for specifications, installation procedure, operation instructions and maintenance procedures.

1.2 Key Features

A. Configuration

- Local operation on front panel keypad
- Remote operation via GPIB or RS232 interface
- Protections against Over-power, Over-voltage, Over-current, Over-temperature, Fan-fail
- Temperature controlled fan speed
- Built-in output isolation relays

B. Input/Output

- Selectable full scale output: 150V/300V/Auto
- Remote control using analog voltage reference
- V, F, PF, CF, I, P measurement
- Programmable limit of output I_{pk}

1.3 Specifications

The operation specifications of the model 6404/6408 are listed in this section. All specifications are tested according to standard Chroma test procedures.

(All specifications are based on $25 \pm 1^\circ\text{C}$ resistor load unless specified otherwise).

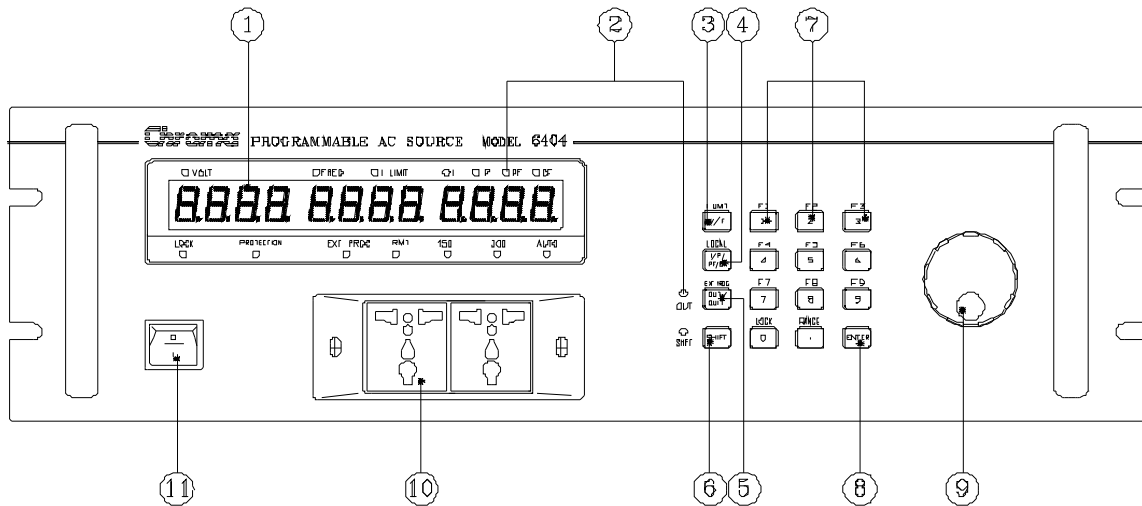
Model	6404	6408-1	6408-2
OUTPUT			
Max. power	375VA	800VA	800VA
Voltage			
Range	150V/300V/Auto		
Accuracy	0.2 % of F.S. (for freq. $\leq 200\text{Hz}$) 0.4 % of F.S. (for freq. $> 200\text{Hz}$)		
Resolution	0.1V		
Temp. coeff.	0.02 % per degree from 25°C		
Current			
Range	2.5A/1.25A	5.33A/2.67A	5.33A/2.67A
C.F.	Typical 2.8 for freq. $\leq 100\text{Hz}$ Typical 2.2 for freq. $> 100\text{Hz}$		
Frequency			
Range	45 to 500 Hz		
Accuracy	0.1%		
Resolution	0.1Hz		
Temp. coeff.	50 ppm/ $^\circ\text{C}$ from 25°C		
Distortion	Typical 0.3% ($\leq 200\text{Hz}$) Typical 0.8 % for freq. $> 200\text{Hz}$		
Line regulation	0.1 % F.S.		
Load regulation	0.1% F.S.		
INPUT			
Voltage Range	100 - 120V $\pm 10\%$ & 200 - 240V $\pm 10\%$	100 - 120V $\pm 10\%$	200 - 240V $\pm 10\%$
Current	7 A max.	12 A max.	6 A max.
Frequency range	47 - 63 Hz		
Power factor	Typical 0.8	0.98 min.	0.98 min.
EFFICIENCY	Typical 75%	Typical 80%	
MEASUREMENT			
Voltage			
Range	0-150V / 0-300V		
Accuracy (rms)	0.2% F.S. +0.2% reading		
Resolution	0.1V		
Current			
Range	0 to 2 A 2 to 10 A	0 to 4 A 4 to 20 A	0 to 4 A 4 to 20 A
Accuracy	0.2% F.S. + 0.5% reading		
Resolution	0.01A		
True Power			
Range	0-375W	0-800W	0-800W
Accuracy	0.5% F.S.		
Resolution	0.1 Watt		
SAFETY REQUIREMENT	Meet IEC 1010-1, UL 1244		

EMI REQUIREMENT	FCC 15J class A		
PROTECTION	UVP, OCP, SHT, OPP, OTP, FAN		
OTHERS			
Size (WXHxD)	483X134X468 mm ³		
Weight	18 Kg	23 Kg	23 Kg
Temperature Range			
Operation	0 to + 40°C		
Storage	– 40°C to +85°C		
Humidity	30 % to 90 %		

- Note**
- 1. Maximum distortion for voltage ranges from half to full range with linear load.
 - 2. These items are tested with full power linear load.

1.4 Operational Panels

1.4.1 Front Panel



Item	Symbol	Description
1		Alphanumeric LED: A row of red seven-segment LEDs are equipped for displaying setup messages and numeric value of settings or measurement results. The display area is divided into three sections; value of V shows at the left, frequency or I limit, at the middle, and any of I/P/PF/CF measurement value, at the right.
2		Indicator LED: LEDs located on the upper and lower part of the display panel are the indicators for showing the status being activated. These indicators include “VOLT”, “FREQ”, “I LIMIT”, “I”, “P”, “PF”, “CF”, “LOCK”, “PROTECTION”, “EXT PROG”, “RMT”, “150V”, “300V”, “AUTO”. Besides, two LEDs, “OUT” and “SHIFT”, for showing activation of output and shift mode, are available which are located on the keypad area next to the corresponding keys.
3	<div style="text-align: center;"> V/F ----- or ----- I limit </div>	V/F or I limit selection key: Under normal mode, the V/F key offers the user selection of programming on voltage or frequency. Under shift mode, this key enables the user to program software limit for current (I limit).
4	<div style="text-align: center;"> I/P/PF/CF ----- or ----- LOCAL </div>	I/P/PF/CF selection key: Under normal mode, the user can repeatedly press this key to select one of the measurement values to be displayed. Under shift mode, this key provides the user for returning controls from remote PC to front panel keypad.
5	<div style="text-align: center;"> OUT/QUIT ----- or ----- EXT PROG </div>	OUT/QUIT command key: Under normal operation, presses of this key may enable the 6404/6408 outputs power to the loading devices. If the user enters setup procedures, this key is used to quit from current setting routine. Under shift mode, this key enables external programming.


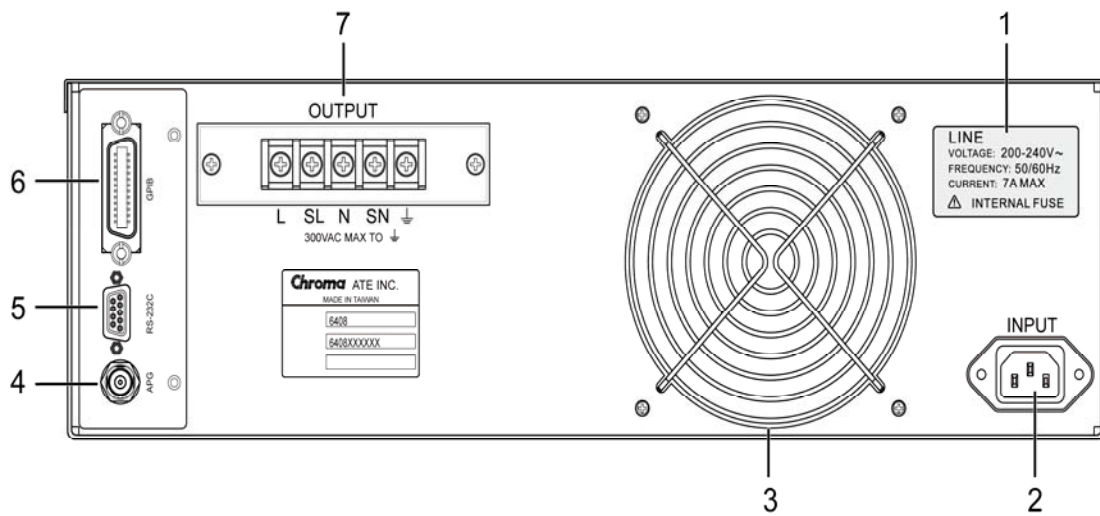
6	SHIFT	Shift mode selection key: Press this key switches the 6404/6408 from the normal operational mode to the shift mode, or from shift back to normal.
7	1 to 9 , 0 and . ----- or ----- F1 to F9 , LOCK , and RANGE	Numeric and decimal keys: Under normal mode, the user can program numeric data using the digital keys and the decimal key. Under shift mode, the keys from 1 to 9 save data to or recalls them from memory channels F1 to F9 respectively. Additionally, under shift mode, 0 enables data lock and configure setup, and . offers full range programming.
8	ENTER	The ENTER key is to confirm setting of parameters.
9		Rotary knob: The user may input programming data or options by turning the rotary knob to the desired ones.
10		Universal Output connectors: These connectors output power to the loads.
11		Main Power switch: Power on/off the 6404/6408 using this switch.

Table 1-1 Front Panel Description

1.4.2 Rear Panel



Item	Name	Description
1	Product Label	The model number 6404 or 6408 and power line input ratings are marked on the label.
2	Power Line Input Connector	Power line input is connected to the 6404/6408 through this connector.
3	Cooling Fan	Cooling fan speed automatically increases or decreases as temperature rises or falls.
4	Ext. V Ref.	Control the output Vrms of the 6404/6408 by using external DC voltage level. Such signal is input through this BNC connector. This connector is on the same optional board as items 5 and 6.
5	RS-232C Connector	This port located on the same GPIB optional board offers alternative interface to the 6404/6408 for remote operation.
6	GPIB Connector	The optional interface provided by the 6404/6408 for communication with the remote GPIB controller.
7	Power Line Output Connector	Output power can be connected from the terminal block located at the rear panel of the instrument through terminals L and N to the load.

Table 1-2 Rear Panel Description

2. Installation

2.1 Inspection

When unpacking the instrument, inspect for any damage that may have occurred in shipping. Save all packing materials in case the unit has to be returned.

If any damage is found, please file a claim with the carrier immediately. Do not return the instrument to the factory without prior RMA acceptance from Chroma.

2.2 Preparation for Use

To start up, the instrument must be connected with an appropriate AC line input. The instrument is smart fan cooled and must be installed with sufficient space to the rear for airflow. It should be used in an area where the ambient temperature does not exceed +40°C.

2.3 Input Power Requirements

2.3.1 Ratings

Input Voltage Range	6408-1	: 100 ~ 120±10% Vac, single phase
	6408-2	: 200 ~ 240±10% Vac, single phase
	6404	: 100 ~ 120±10% Vac, 200 ~ 240 ±10% Vac (auto range), single phase
Input Frequency	47-63 Hz	
Max. Current	6408-1	: 12 A
	6408-2	: 6 A
	6404	: 7 A
Max. Power	6408-1	: 1000 W
	6408-2	: 1000 W
	6404	: 500 W

2.3.2 Input Connection

The input power inlets are located on the rear panel of the instrument. Refer to Figure 2-1. Input of the 6404/6408 must be connected from a three-wire single phase AC power outlet. The power line input must have a current rating greater than or equal to the instrument fuse current rating.



To protect operating personnel, the wire connected to the GND terminal must be connected to an earth ground. In no event should this instrument be operated without an adequate ground connection.

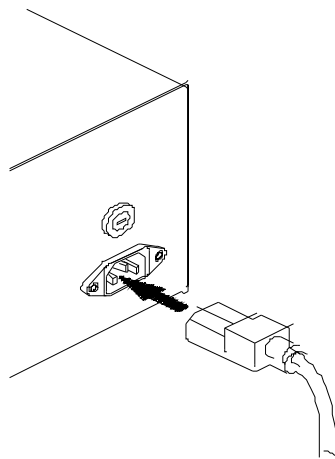


Figure 2-1 Input Connections

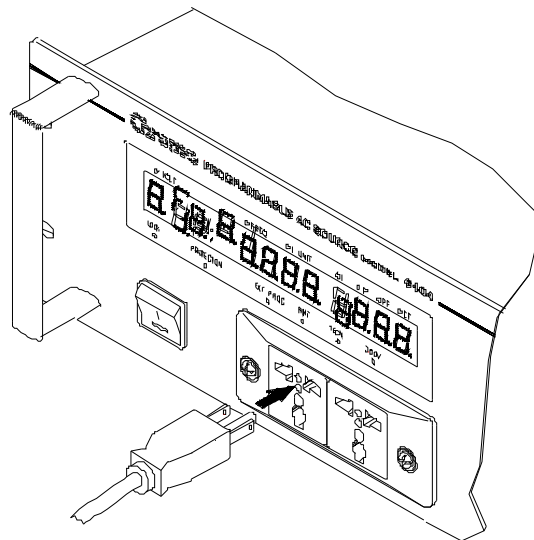


Figure 2-2 Output Connections

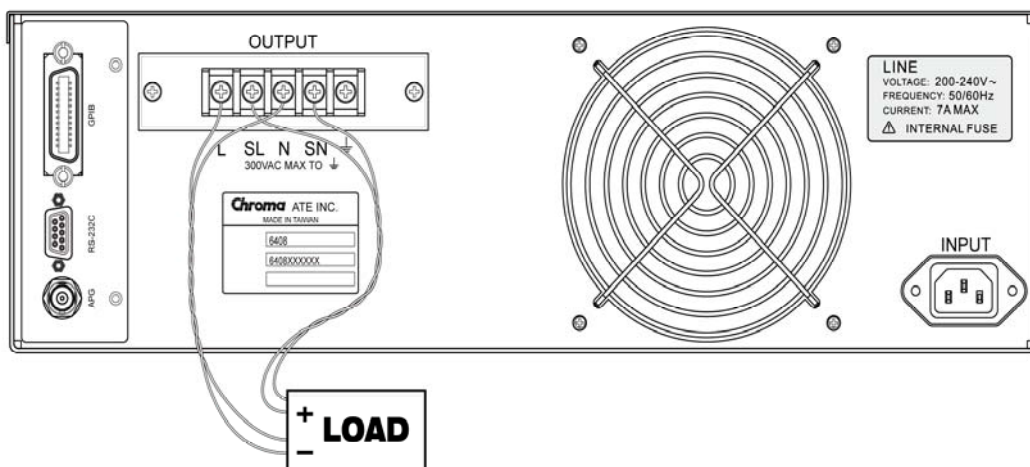


Figure 2-3 Output Connections

2.4 Output Connection

Output power can be connected from the terminal block located at the rear panel of the instrument through terminals L and N to the load. Besides, it can be connected from the universal receptacle located at the front panel using power cord to the load. To satisfy safety requirements, the wires to the load should be of a sufficiently large gauge to insure they do not overheat while carrying the output current. Refer to Figure 2-2 and Figure 2-3.

2.5 Remote Sense Connection

The remote sensing connections improves the voltage regulation at the load by monitoring the voltage there instead of at the AC source output terminal. Remote Sensing allows the power supply to automatically increase the output voltage and compensate the voltage drops in the load leads. Note that with remote sensing, voltage read-back is at the load. Connect the unit for remote voltage sensing by connecting load leads from the output terminals to the load, and the sensing leads from the S_L and S_N terminals to the load as shown in Figure 2-3.

2.6 Power-on Procedure

Apply the line power and turn on the front panel power switch. No loads should be connected to the output terminal block. The instrument performs a series of self-tests each time when turning on the power-switch. All front panel LEDs, including alphanumeric and indicator LEDs, are turned on and holds about 3 seconds. Then, the seven segment LEDs, alphanumeric LEDs will show "SELF TEST" indicating that the 6404/6408 is running self-test routines.

Then, the seven segment LEDs display model number (6404 or 6408), firmware version number (e.g. "ver 1.2") as below:

6408 ver 1.2

If any error is detected during the self-test routine, an error message will be displayed on the LED. For example,

RAM TEST ERR

The following table shows all the error messages and recommended actions:

Item	Error Message	Description	Action
1	RAM TEST ERR	System memory test failure.	Consult your dealer for assistance in case of self-test failure.
2	EEPROM ERR	System EEPROM tests failure.	
3	DSP COMM ERR	CPU and DSP communication test failure.	

After the self-test routines are completed the LEDs turn to show the current setting values of V and F, and measured value of I, indicating the 6404/6408 is ready for use as below:

0.0 60.0 0.00

⚠WARNING

Before the instrument is turned on, all protective earth terminals, extension cords, and devices connected to the instrument should be connected to a protective earth ground. Any interruption of the protective earth grounding will cause a potential shock hazard that could result in personal injury.

2.7 I/O Connectors (Option)

GPIB

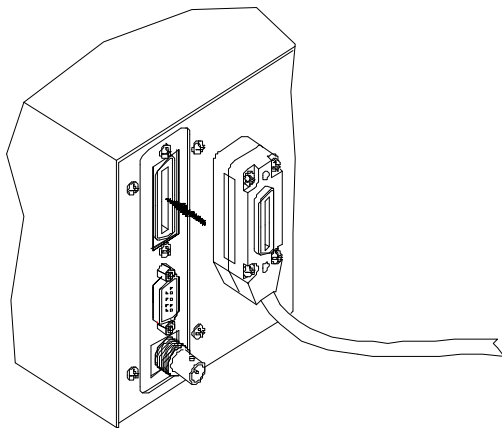


Figure 2-4

RS-232

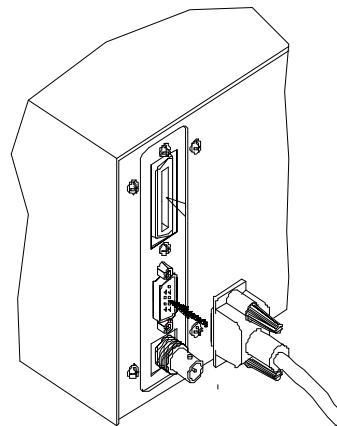


Figure 2-5

EXT PROG

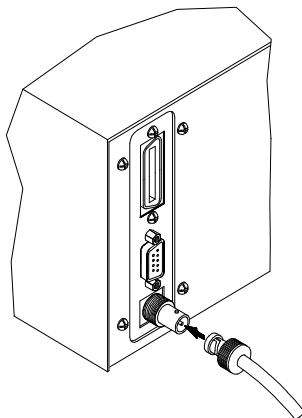


Figure 2-6

OPTION BOARD

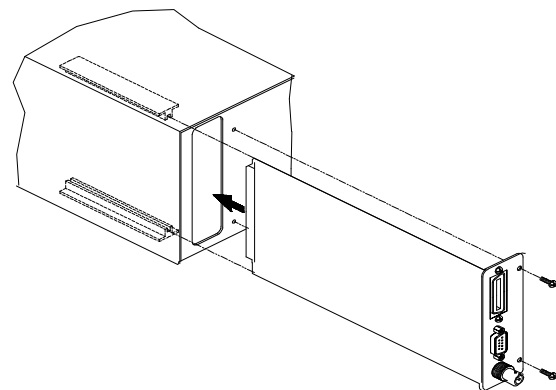


Figure 2-7

3. Local Operation

3.1 Introduction

Chroma 6404/6408 AC Source may be configured to operate in either local or remote operational mode. Remote mode operation, using a remote GPIB controller, is described in the Section 6. This section describes the operation of the 6404/6408 using the front panel keypad for data entry and test execution when in local mode operation.

3.2 Set up

Configuration setup for 6404/6408 AC Source includes GPIB address, RS-232C baud rate, parity, OVP setting, enabling keystroke sound, and system test. The user must initiate configuration setup for the first time operation, and may modify them when application requirement is changed.

To enter into the setup, press the **SHIFT** key, the green LED turns on, then press the **0** key and hold it for 3 seconds, until the red 7-segment LEDs display the following:

SET UP 1

Notice

1. If the user see the red indicator LED of "LOCK" turning on before or during pressing the **0** key, please release and press the **0** key again to switch it off. Then, press firmly the **0** key to wait for the setup screen.
2. Setup offers five available functions, which can be selected using numeric keys **1** to **5** and confirmed by pressing the **ENTER** key. They are described in the following sections.

3.2.1 GPIB address

The 6404/6408 offers remote operation mode. For details, refer to *Remote Operation* to the 6404/6408 in Section 6. Prior to operating remotely, the user has to set GPIB address as following:

For example, set GPIB address as 25.

Action	Display
1. Enter configuration setup as stated in section 3.2, if required.	SEt Up 1
2. Press 1 , ENTER	Gpib Addr 1
3. 3. Press 2 , 5 , ENTER	Gpib Addr 25

4. Press **OUT/QUIT** SEt Up 1
5. Select other setups by numeric keys or, press **OUT/QUIT** again to exit from setup.



 **Notice**

1. Addressing space ranges from 0 to 30.
2. To confirm data entry, the **ENTER** key must be pressed within two seconds after the last numeric key pressed, or the 6404/6408 disregards the programming value and the previous data is kept. This note applies to all circumstances when the user enters numeric values.

3.2.2 RS-232C

The 6404/6408 offers the alternative remote operation using the RS-232C bus. Communication protocol is set as following:

Example: Set baud rate = "19200", parity "ODD".

Action	Display
1. Enter configuration setup as stated in sec. 3.2, if required.	SEt Up 1
2. Press 2 , ENTER	232C bAUd 96
3. Turn  to select "19200"	232C bAUd 192
4. Press ENTER	232C PrtY nonE
5. Turn  to select "ODD"	232C PrtY odd
6. Press ENTER	232C bAUd 192
7. Press OUT/QUIT	SEt Up 2
8. Select other setups by numeric keys or, press OUT/QUIT again to exit from setup.	

 **Notice**

1. Baud rate options are 2400, 4800, 9600, and 19200. They are displayed as 24/48/96/192 respectively.
2. Parity options are "NONE", "EVEN", and "ODD". They are displayed as "nonE", "EVEN", and "odd".

3.2.3 OVP

The user is allowed to set limitation for output voltage, the 6404/6408 will then output power with the voltage never exceeding the user-defined upper limit to protect the loading devices.


Example: Set upper limit of output voltage to be 120V.


Action	Display
1. Enter configuration setup as stated in sec. 3.2, if required.	SEt UP 1
2. Press 3 , ENTER .	OVP SEt 300.0
3. Press 1 , 2 , 0 , ENTER	OVP SEt 120.0
4. Press OUT/QUIT .	SEt Up 3
5. Select other setups by numeric keys or, press OUT/QUIT again to exit from setup.	



Default limit is 300V.


3.2.4 Sound (ON/OFF)

The 6404/6408 offers the user selection of beep sounds while programming using keypad or turning . Default setting is “ON”, to disable it, the user can do as below:

Action	Display
1. Enter configuration setup as stated in sec. 3.2, if required.	SEt UP 1
2. Press 4 , ENTER	bEEP on
3. Turn  to change the option to be “OFF” and press ENTER .	bEEP oFF
4. Press OUT/QUIT .	SEt Up 4
5. Select other setups by numeric keys or, press OUT/QUIT again to exit from setup.	

3.2.5 System test

The user is allowed to check if the output power is within spec to the setting value. To enable the test, follow the procedures described below:

Action	Display
1. Enter configuration setup as stated in sec. 3.2, if required.	SEt Up 1
2. Press 5 , and ENTER .	SYS tEst no
3. Turn  to change the option to be “YES” and press ENTER .	SYS tEst YES
4. Press OUT/QUIT .	SEt Up 5
5. Select other setups by numeric keys or, press OUT/QUIT again to exit from setup.	


Notice

1. Disconnect any output load when doing the system test.
2. In step 3, the 6404/6408 performs system test after pressing **ENTER**. Upon completion of test, the 6404/6408 displays test result showing "PASS" or "FAIL". In case of failure, please contact your dealer for support.

3.2.6 Power on status

The 6404/6408 offers the user to set up the parameters of range, V and F when the power switch is on.

Example: Set the power on status to be 230V, 50Hz.

Action	Display
1. Enter the configuration setup as stated in 3.2 if required.	
2. Press 6 , ENTER .	turn on r 150
3. Turn  to select 300.	turn on r 300
4. Press ENTER .	turn on V 0.0
5. Press 2 , 3 , 0 .	turn on V 230.0
6. Press ENTER .	turn on F 60.0
7. Press 5 , 0 .	turn on F 50.0
8. Press ENTER .	turn on r 300
9. Press OUT/QUIT .	Set up 6
10. Select other setups by numeric keys, or press OUT/QUIT again to exist from setup.	

3.3 Output Setting & Execution

After the 6404/6408 AC source passes power-on self-test or when the user completes the configuration setup, the 6404/6408 shows on the 7-segment LEDs the following values:

0.0 60.0 0.00


Which indicates that the present output settings for Vrms is 0 Volt, the output Freq is 60 Hz, and any of the output measured values (including I/P/PF/CF) is 0. Before programming for the outputs V and F, setting current limitation and output full range is to be done in advance. They are introduced in the next sections.

3.3.1 I limit

The output current limit is to guarantee the output current won't exceed the pre-defined value to protect the loading devices from being damaged by the output peak current. The programmable range of peak current limit is from 0 to 20 in step of 0.08 A for 6408, and from 0 to 10 in step of 0.04 A for 6404. Operational example for defining I limit = 8 A is interpreted as below.

Action	7-segment LED Display		
1. Enter shift mode by pressing SHIFT to turn on the "SHIFT" LED.	40.5	60.0	0.00
2. Press the I limit * key to turn on the "I LIMIT" LED.	40.5	15.0	0.00
3. Press 8 , ENTER	40.5	8.00	0.00
4. Press SHIFT to turn off the "SHIFT" and "I LIMIT" LED, and turn on the "FREQ" LED.	40.5	60.0	0.00

Notice

1. In step 2, **I limit** key is the same as **V/F** key whose function is augmented due to shift mode being activated. Characters in blue print above the key indicate its new function as "I LIMIT".
2. In step 3, presses of data keypad for value of "I limit", or turning the rotary  to get to the value.
3. When "I limit" is set as the value less than 1A (for 300v range) or 2A (for 150v range), the "I limit" LED keeps blinking. The user should change it to a larger value.



3.3.2 Range

The full range of output voltage is selectable to be 150V, 300V, or AUTO. For example, set range to be 300V.

Action	Indicator LED Display
1. Enter shift mode by pressing SHIFT to turn on the "SHIFT" LED.	Green "SHIFT" LED turns on.
2. Press the RANGE key several times until the "300V" LED turns on.	Green "300V" LED turns on.
3. Press SHIFT to quit from the "SHIFT" mode.	Green "SHIFT" LED turns off.

3.3.3 Output V & F

For example: To set V=135.5 volt, F=82 Hz

Action	7-segment LED Display		
1. If the "EXT PROG" LED is "ON", please turn it off by pressing SHIFT to turn on the "SHIFT" LED, then pressing EXT PROG .	40.5	60.0	0.00
2. If the "SHIFT" LED is "ON", quit from shift mode by pressing SHIFT to turn it off	40.5	60.0	0.00
3. Press V/F to switch on "VOLT" LED and switch off "FREQ" LED.	40.5	60.0	0.00
4. Press 1 3 5 . 5 ENTER or turn  to the desired voltage value	135.5	60.0	0.00
5. Press V/F to switch off "VOLT" LED and switch on "FREQ" LED.	135.5	60.0	0.00
6. Press 8 2 ENTER or turn  to the desired frequency value.	135.5	82.0	0.00
7. When completes, press OUT/QUIT to activate output power to the loading devices.			

3.4 Save & Recall

The 6404/6408 AC Source offers nine memory channels for the user to save a set of frequently used V, F, and V full range, and to recall them for later use.

To save settings to the memory channel 5:

Action	7-segment LED Display		
1. Enter into the "SHIFT" mode by pressing SHIFT to turn on the "SHIFT" LED.	135.5	82.0	0.00
2. Press F5 and hold for 3 seconds until hearing a beep sound signaling completion, and the LED displays memory channel number F5.	135.5	82.0	F5

To recall from memory channel 4:

Action	7-segment LED Display		
1. Enter into the "SHIFT" mode by pressing SHIFT to turn on the "SHIFT" LED.	250.0	70.0	0.00
2. Press F4 , and release immediately without holding. Contents of pre-stored setting values are shown on the LED.	40.5	60.0	0.00
3. If these are not the desired setting values, repeat	55.0	60.0	0.00

step 2 to step 3 for other memory channels until the right one is found.

4. Confirm by pressing **ENTER**. 135.5 82.0 0.00

3.5 Data Lock

After completion of setting values for outputs, the front panel keypad can be locked to avoid incident changes.

To lock setting output data, press **SHIFT** to light up the “SHIFT” LED. Then, press **LOCK**, the same as the **0** key, to turn on the “LOCK” LED.

To unlock, press **SHIFT** to light up the “SHIFT” LED. Then, press **LOCK**, the same as the **0** key, to turn off the “LOCK” LED.

3.6 Ext Prog

The 6404/6408 AC source allows the user to use an external DC voltage level as a linear control reference for output Vrms. The relationship of Vout and the Vref is listed as following:

$$V_{out} = V_{ref} \div 10V \times V_{fs}$$


Vout : The Vrms output of the 6404/6408

Vref : DC level of the external control voltage

Vfs : The current setting of full scale (full range) of output Vrms.

When the “EXT PROG” is active, the user is not allowed to program the value for Vout. The user can still program the value for output F. To enable this function, the user must connect the external device of controlled DC to the “EXT REF.” port of 6404/6408 on the rear panel as illustrated in the section 2.6.

To enable it, press the **SHIFT** to light up the “SHIFT” LED. Then, press **EXT PROG**, the same as the **OUT/QUIT** key, to turn on the green “EXT PROG” LED. And quit “SHIFT” mode by pressing the **SHIFT** to turn off the “SHIFT” LED.

The user may press the numeric keypad and **ENTER** or turn  for changing output frequency to the desired.

To disable it, press the **SHIFT** to light up the “SHIFT” LED. Then, press **EXT PROG**, the same as the **OUT/QUIT** key, to turn off the green “EXT PROG” LED.

3.7 Measurement

The 6404/6408 can measure actual performance V, F, I, P, PF, and CF of the Load connected to it without using extra measurement instrument when the 6404/6408 AC source outputs power to the load. During operation, V and F measurement data are always shown on the LEDs at the left and the middle zone. The right zone displays one of the I, P, PF, and CF measurement according to the user's choice.

The sample LED shows the measurement V = 132.2V, F = 75Hz as below:

132.2	75.0	0.03
-------	------	------

The next section describes how to select one of the measurement I, P, PF, CF for automatic read-back.

3.7.1 Select Measurement Items

1. If output is not activated, press the **OUT/QUIT** to turn on the "OUT" LED.
2. When operating in "SHIFT" mode, quit from "SHIFT" mode by pressing the **SHIFT** to switch off the green "SHIFT" LED.
3. Press **I/P/PF/CF** to light up one of the four LEDs among I, P, PF, and CF.

It keeps changing one by one among these four options if the user presses this key again and again. Hence, the right displayed value reacts to the corresponding measurement parameters after each key pressed in the following sequence.

I ⇒ P ⇒ PF ⇒ CF ⇒ (go back I)

3.7.2 Measurement Functions

The 6404/6408 offers the following 6 measurement functions.

Function	Description
V	Voltage measurement readings in volts. (True R.M.S. measurement)
F	Frequency measurement readings in Hertz.
I	Current measurement readings in Amperes. (True R.M.S. measurement)
P	True power measurement in Watts.
CF	Crest factor, calculation formula = I_{peak}/I_{rms} .
PF	Power factor, calculation formula = $\text{true power}/(V_{rms} \times I_{rms})$

3.8 Local

During remote operation, the 6404/6408 is controlled by a remote GPIB or RS-232C controller, and the green indicator LED of “RMT” remains turned on. To return from remote to front panel operation, press the **Local** key.

When in “SHIFT” mode, the user needs to press **SHIFT** key to return to normal mode before pressing **Local** key.

3.9 Protection

During operation, if the 6404/6408 senses under voltage (UVP), over current (OCP), shortage (SHT), over power (OPP), over temperature (OTP), or fan failure (FAN), the red indicator LED of “PROTECTION” turns on and the protection circuit is enabled to shut down the outputs. Before restart the output, the user must eliminate the condition that causes the 6404/6408 to react to “PROTECTION”. For detail description and recovery suggestion, please refer to *Troubleshooting* in section 5.

4. Theory of Operation

4.1 General

The 6404/6408 AC power source consists of 8 main boards and other discrete components. Each has its specific function that will be described in the sections followed.

4.2 Overall System Description

Figure 4-1 shows the overall system blocks. Main power flows through the A/D, D/A power stage converter. The A/D power stage is designated as **I board** and generates DC voltage from the line input. The DC voltage of the A/D output is applied to the input of the next power stage.

The **P board** of D/A stage takes power from the A/D output; the fan speed control circuit is also on **P board**.

The isolated output transformer takes power from D/A output and transfer it to two sets at secondary, connected in parallel or serial at **O board** to obtain more current or higher voltage.

A board is identified as **CPU**. The 64180 CPU is used here to communicate with DSP at **B board** for programming variable output voltages and frequencies, to monitor or control the signal and interrupts, and to perform remote control through the GPIB or RS-232C interface on the optional board.

B board is identified as the sine wave generator, measurement unit, and D/A power stage controllers. It generates sine waves acting as the reference input of the D/A stage. All measurement functions are done here.

The seven-segment LEDs and keyboard are identified as **D board** and **K board** respectively, which makes the interfaces between the user and the instrument. Fan is used to remove extra heat from interior of the 6404/6408 AC Source.

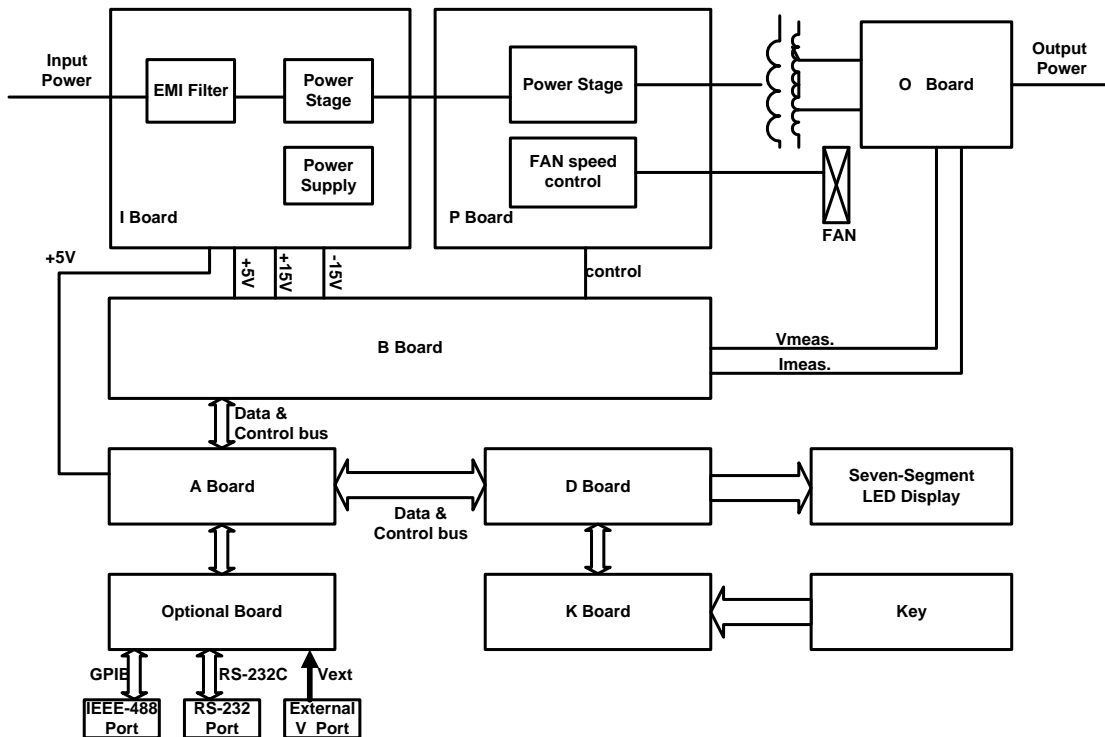


Figure 4-1 System Block Diagram

4.3 AC/DC Power Stage Converter

This assembly is identified as **I board**. It generates the high voltage V_{dc} supply. This power stage also includes power supply circuits that generate the DC voltage identified as +15V, -15V, and +5V. Power factor correction technology for 6408 is used to achieve a power factor of 0.98 or more.

4.4 DC/AC Inverter

This assembly comprises of control part at **B board**, **P board**, output transformer, and **O board**. It generates an AC output sine wave.

Advanced PWM technology is applied to this system to obtain more stability. Maximum peak current is clamped to protect output power MOSFET. Overload protection (OLP), which contains output protection against short circuit, is also implemented here.

P board is made up of the full bridge of MOSFET power components. The PWM control signal from controller is applied to the full bridge to amplify the output. The low pass filter can reject the switching frequency component.

O board consists of the range relays and output relays. Output relays can isolate the AC source from the external source when any error occurs. Range relays connect the tow sets of the secondary of output transformer together in parallel or serial.

4.5 CPU

The CPU, **A board**, uses a 64180 CPU to control the circuit. A microprocessor circuit accepts commands from the GPIB or RS-232C controller, or from the front panel keyboard. It sends digital programming information to DSP controller to set the output parameters of the power source. Data from measurement circuits are accepted and reported to the display and GPIB. Setup parameters and one key operation data are stored in EEPROM.

4.6 Measurement & Sine wave Generator (B Board)

Measurement circuits on **B board** monitor voltage, current, power etc. Voltage from the output is scaled, and sent to the DSP processor by the analog-to-digital converter. Current sensed by the current shunt is scaled, and sent to the DSP processor by the analog-to-digital converter.

The true-RMS measurement is made by software of the DSP processor, and so is the power.

The digital-to-analog converter on **B board** sets the DC voltages that are used for the programmable voltage function. Low pass filter is applied to smooth the reference input signal.

4.7 Keyboard & Display

The keyboard is designated as **K board**, which is connected through a short flat ribbon cable. It has 16 key switches and 2 LED indicators. The display is also connected from **A board** through a short flat ribbon cable. It comprises of three 4-digit seven-segment LEDs. Programming of V, F can also be done by rotary knob on the front panel.

4.8 GPIB/RS-232C/External reference

The remote control is done through the GPIB or RS-232C interface on the optional board, which is connected through the flat ribbon cable from **A board**. External reference is for the user to use DC reference to control the amplitude of output AC voltage.

5. Self-test and Troubleshooting

5.1 General

This section describes the suggested self-test and troubleshooting procedures when AC source does not function normally. If the problem cannot be solved using the information given here, consult the distributor from whom you purchased the unit.

5.2 Self-test Routine

The 6404/6408 AC Power source has a built-in test/adjust program for the user to test/adjust the unit. Do not adjust any component without prior approval. Consult the distributor for information on adjustments.

⚠ WARNING ■■■ Disconnect any load from output when using the test/adjust program.
■■■ Any load from the instrument may cause test failure.

5.3 Troubleshooting

The following table lists the operating problems and suggests corrective actions:

Problem	Reason	Solution
Poor Voltage Accuracy	HIGH or LOW line of output voltage maybe shorted to the case ground.	Isolate output line from case.
Poor measurement of V, I, P	Aging of components results in deviation of characteristics. Periodical calibration or adjustment is required.	Refer to service manual for internal reference of voltage adjustment.
Over Temperature Protection (OTP)	Ambient temperature is too high	Operate the unit between 0 and 40°C.
Over Load Protection (OLP)	The output is overloaded.	Remove the overload.
Short Circuit (SHT)	The output is shorted.	Remove the short.
Over Power protection (OPP)	The output power is over specification.	Remove the over power or lower down output voltage.
Cannot Control AC Source System by GPIB	1. The AC source unit address is incorrect. 2. GPIB cable is loosened at AC source rear panel.	1. Update address. 2. Check connection, tighten the screws.
Distorted Output	1. The AC source output voltage is too low. 2. The rectified load is too large at high frequency.	1. Program higher output voltage. 2. Reduce the load or lower the output frequency.
Fan Inhibited Protection (FAN)	Fan or ventilation holes are blocked.	Remove obstruction.
Under Voltage Protection (UVP)	The AC source line input voltage is too low.	Measure input voltage, and raise it if it is under the specification.

6. Remote Operation

6.1 General Information

The AC source can be remotely controlled through the GPIB or the RS-232 interface. For RS-232 interface, only the TXD, RXD, RTS, CTS signals is used for data transfer.

6.2 GPIB Capability of the AC Source

GPIB Capability	Description	Interface Functions
Talker/Listener	Commands and response messages can be sent and received over the GPIB Bus. Status information can be read using a serial poll.	AH1, SH1, T6, L4
Service Request	The ac source sets the SRQ line true if there is an enabled service request condition.	SR1
Remote/Local	The ac source powers up in local state. In local state, the front panel is operative and the ac source may respond to commands from GPIB. In remote state, all front panel keys except local key are disabled. Pressing local key returns the ac source to local state. Local can be disabled using local lockout so that only the controller or the power switch can return the ac source to local mode.	RL1
Device Clear	The ac source responds to the Device Clear (DCL) and Selected Device Clear (SDC) interface commands. These cause the ac source to clear any activity that would prevent it from receiving and executing a new command. DCL and SDC do not change any programmed settings.	DCL, SDC

6.3 Introduction to Programming

All command and response messages are ASCII. The entire response messages should be read before a new command is sent, otherwise the rest response messages will be lost and a query interrupted error occurs.

6.3.1 Conventions

- < > Items within angle brackets are parameter abbreviations.
- | separate alternative parameters. For example, ON | OFF indicates that either "ON" or "OFF" can be used as a parameter.
- [] Items within square brackets are optional. For example, OUTP[:STATE] means

that :STATE may be omitted.

6.3.2 Numerical Data Formats

Formats:

The 6404/6408 AC Source accepts numeric data of the following formats:

Symbol	Description	Example
NR1	Digits with no decimal point. The decimal point is assumed to be to the right of the least-significant digit.	123, 0123
NR2	Digits with a decimal point.	12.3, .123
NR3	Digit with a decimal point and an exponent.	1.23E+2, 12.3E-1
NRf	Flexible decimal form that includes NR1, NR2, NR3	12, 12.3, 1.23E2
NRf+	Expanded decimal form that includes NRf, MINimum and MAXimum.	12, 12.3, 1.23E2
	MINimum and MAXimum are the minimum and maximum limit values for the parameter.	MIN, MAXimum

Suffixes:

Numeric data may be followed by an optional suffix including a multiplier and/or unit. If the suffix is omitted, default units are used.

The default units of Frequency, Voltage, and Current are Hz, Volt, and Ampere respectively. The valid suffixes (unit and multipliers) are as follows:

Class	Preferred Suffix	Allowed Suffix	Referenced Unit
Frequency	Hz	MHz	Hertz Megahertz
Voltage	V		Volt
Current	A		Ampere

Multiplier	Definition
K	1E3
M	1E-3

6.3.3 Boolean Data Format

The Boolean parameter <Boolean> takes the form ON|OFF|<NRf>. Boolean parameter has a value of 0 or 1, and is unitless. Any input value of <NRf> is rounded to an integer and the non-zero result is interpreted as "1". The values "ON" and "OFF" are also acceptable on the input commands for increasing readability. "ON" represents "1", and "OFF" corresponds to "0".

Queries shall return 1 or 0, not ON or OFF.

6.3.4 Character Data Format

The character strings returned by query command may take either of the following forms:

<CRD> Character Response Data: character string with maximum length of 12.

<SRD> String Response Data: character string enclosed in double quotes.

6.3.5 Basic Definition

Command Tree Table:

The ac source commands are based on a hierarchical structure, also known as a tree system. To obtain a particular command, the full path to it must be specified. This path is represented in the tables by placing the highest node in the hierarchy in the left-most position. Lower nodes in the hierarchy are indented on position to the right, below the parent node.

Program Headers:

Program headers are keywords that identify the command. The program headers follow the syntax described in section of IEEE 488.2. The ac source accepts both upper and lowercase characters without distinguishing between the cases. Program headers consist of two distinct types, common command headers and instrument-control headers.

Common Command and Query Headers:

The common command and query program header syntax is specified in IEEE 488.2 for use with the IEEE 488.2-defined common commands and queries. The commands with a leading "*" are common commands.

Instrument-Control Headers:

Instrument-control headers are used for all other instrument commands. Each instrument-control header has both a long and a short forms. The ac source accepts only the exact short and the exact long forms. Note that elsewhere in this section a special notation is employed to differentiate the short form header from the long form header of the same header. The long form of the header is shown, with the short form portion shown in uppercase characters, and the rest of the header is shown in lowercase characters.

Program Header Separator:

Data must be separated from program header by at least one space.

Program Message:

Represents a sequence of zero or more program message unit elements separated by program message unit separator elements.

Program Message Unit:

Represents a single command, programming data, or query.

Examples: VOLT?, OUTPut ON.

Program Message Unit Separator (':'):

Separates the program message unit elements from one another in a program message.

Example: VOLT 110 ; FREQ 120 <PMT>

Program Message Terminator (<PMT>):

A program message terminator terminates a program message. Three permitted terminators are:

- (1) <END>: end or identify (EOI).
- (2) <NL>: new line, which is a single ASCII-encoded byte 0A (10 decimal).
- (3) <NL><END>: new line with EOI.



The response message is terminated by <NL> <END> for GPIB, <NL> for RS-232C.

6.4 Traversal of the Command Tree

Multiple program message unit elements may be sent in a program message. The first command is always referenced to the root node. Subsequent commands are referenced to the same tree level as the previous command in a program message.

Note that the common command and query headers don't affect the header path. A column preceding a program message unit alters the header path to the root level.

For example:

- (1) VOLT:RANG 150;LIM 140 <PMT> shall set the output voltage to 150V range and the maximum rms output voltage to 140V.
- (2) CURR:PEAK 8;VOLT 110 <PMT> shall set the output peak current to 8A and generate a command error because VOLTage is not a node at the current level.
- (3) CURR:PEAK 8;;VOLT 110 <PMT> shall set the output peak current to 8A and the voltage to 110V.
- (4) VOLT:RANG 300;*ESE 32;LIM 250 <PMT> shall set the output voltage to 300V range and the ESE register to 32 and the maximum rms output voltage to 250 Volt.

Optional nodes in the tree shall not alter the header path. For example:

- (1) FREQ 120;VOLT 110 <PMT> shall set the frequency to 120Hz and voltage to 110 Volt. Note that FREQ 120 doesn't change the header path to FREQ:CW.
- (2) VOLT:LEV 110;RANG 150 <PMT> shall set the rms output voltage to 110 Volt and set the output voltage range to 150V range.

6.5 The AC Source Commands

6.5.1 Command Tree Table

MEASure|FETCh

[:SCALar]

:CURRent

:AC?

:CREStfactor?

:FREQUency?

:POWer

:AC

Returns output ac rms current

Returns output current crest factor

Returns output frequency

[:REAL]?	Returns output real power
:PFACTOR?	Returns output power factor
:VOLTage	
:AC?	Returns output ac rms voltage
OUTPUT	
[:STATe] <Boolean>	Enables/Disables output
:PROTection	
:CLEar	Cause the latched protection to be cleared
[SOURce:]	
CURRent	
:PEAK	
[:IMMediate] <NRf+>	Sets output peak current limit
FREQUency	
[:CW]:FIXed <NRf+>	Sets output frequency
VOLTage	
[:LEVel]	
[:IMMediate]	
[:AMPLitude] <NRf+>	Sets ac rms output voltage amplitude
:EPROgram	
[:STATe] <Boolean>	Enables/Disables external program mode
:LIMit	
[:AMPLitude] <NRf+>	Sets the limit on output ac rms voltage amplitude
:RANGe 150 300	Sets output voltage range
:AUTO <Boolean>	Enables/Disables AUTO output voltage range mode
STATus	
PRESet	Presets the PTR, NTR and enable registers of Questionable and Operation status
:OPERation	
[:EVENT]?	Returns the content of the event register
:CONDition?	Returns the content of the condition register
:ENABle <NRf>	Sets the enable register
:QUEStionable	
[:EVENT]?	Returns the content of the event register
:CONDition?	Returns the content of the condition register
:ENABle <NRf>	Sets the enable register
:NTRansition <NRf>	Sets the negative transition filter
:PTRansition <NRf>	Sets the positive transition filter
SYSTEM	
:ERRor?	Returns the error message
:LOCal	Go to local mode (RS-232 only)
:REMote	Go to remote mode (RS-232 only)
:RWLock	Go to remote with lockout mode (RS-232 only)
*CLS	Clear status
*ESE <NRf>	Set Standard Event Status Enable register
*ESR?	Return Standard Event Status register
*IDN?	Return device identification
*OPC	Generates operation complete message when operation completes
*OPC?	Returns "1" when operation completes
*RST	Reset
*SRE <NRf>	Set Service Request Enable register
*STB?	Return Status Byte register

*TST? Perform self-test, then return result
*WAI Wait-to-continue

6.5.2 Command Dictionary

MEASure:CURRent:AC?

FETCh:CURRent:AC?

Description: These queries return the output ac rms current. It is noted that there are two kinds of commands to get measurement data. MEASure commands make a new measurement and return measurement data. FETCh commands return measured data taken by previous MEASure command. Note that once a new measurement is made, all new measurement data (V, F, I, P, PF, CF) may be returned by FETCh command.

Query Syntax: MEASure[:SCALar]:CURRent:AC?
FETCh[:SCALar]:CURRent:AC?

Parameters: None

Return Parameters: <NR2>

Query Example: MEAS:CURR:AC? returns the output ac rms current.

MEASure:CURRent:CREStfactor?

FETCh:CURRent:CREStfactor?

Description: These queries return the output current crest factor.

Query Syntax: MEASure[:SCALar]:CURRent:CREStfactor?
FETCh[:SCALar]:CURRent:CREStfactor?

Parameters: None

Return Parameters: <NR2>

Query Example: MEAS:CURR:CRESt? returns the output current crest factor.

MEASure:FREQuency?

FETCh:FREQuency?

Description: These queries return the output frequency.

Query Syntax: MEASure[:SCALar]:FREQuency?
FETCh[:SCALar]:FREQuency?

Parameters: None

Return Parameters: <NR2>

Query Example: MEAS:FREQ? returns the output frequency.

MEASure:POWer:AC?

FETCh:POWer:AC?

Description: These queries return the output real power.

Query Syntax: MEASure[:SCALar]:POWer:AC[:REAL]?
FETCh[:SCALar]:POWer:AC[:REAL]?

Parameters: None

Return Parameters: <NR2>

Query Example: MEAS:POW:AC? returns the output real power.

MEASure:POWer:PFACtor?

FETCH:POWER:PFACTOR?

Description: These queries return the output power factor.

Query Syntax: MEASure[:SCALar]:POWER:AC:PFACTOR?
 FETCH[:SCALar]:POWER:AC:PFACTOR?

Parameters: None

Return Parameters: <NR2>

Query Example: MEAS:POW:AC:PFAC? returns the output power factor.

MEASure:VOLTage:AC?**FETCH:VOLTage:AC?**

Description: These queries return the output ac rms voltage.

Query Syntax: MEASure[:SCALar]:VOLTage:AC?
 FETCH[:SCALar]:VOLTage:AC?

Parameters: None

Return Parameters: <NR2>

Query Example: MEAS:VOLT:AC? returns the output ac rms voltage.

OUTPut

Description: This command enables or disables the ac source output.

Syntax: OUTPut[:STATe] <Boolean>

Parameters: 0 | 1 | OFF | ON

*RST Value: OFF

Example: OUTP ON enables output
 OUTP 0 disables output

Query Syntax: OUTPut[:STATe]?

Return Parameters: 0 | 1

Query Example: OUTP? returns the output enable condition.

OUTPut:PROTection:CLEAr

Description: This command clears the latch that disables the output when a short, over load, over power, over temperature, fan fail, under voltage condition is detected. All conditions that cause the protection should be removed before the latch can be cleared. The output then remains disabled until another OUTP ON command is received.

Syntax: OUTPut:PROTection:CLEAr

Parameters: None

Example: OUTP:PROT:CLE clears the latched protection.

CURRent:PEAK

Description: This command sets the output peak current.

Syntax: [SOURce:]CURRent:PEAK[:IMMediate] <NRf+>

Parameters: 0 to 10 for 6404, 0 to 20 for 6408

*RST Value: 10 for 6404, 20 for 6408

Example: CURR:PEAK 15 sets the output peak current to 15A.
 CURR:PEAK MAX sets the output peak current to maximum value.

Query Syntax: [SOURce:]CURRent:PEAK?

Return Parameters: <NR2>

Query Example: CURR:PEAK? returns the setting value of output peak current.

FREQuency

Description: This command sets the output frequency.

Syntax: [SOURce:]FREQuency[:CW]:FIXed] <NRf+>

Parameters: 45 to 500

*RST Value: 60 Hz
Example: `FREQ 120` sets the output frequency to 120Hz.
 `REQ MAX` sets the output frequency to 500Hz.
Query Syntax: `[SOURce:]FREQuency[:CW]:FIXed]?`
Return Parameters: `<NR2>`
Query Example: `FREQ?` returns the setting value of output frequency.

VOLTage

Description: This command sets the ac rms output voltage amplitude. The maximum value is dependent on voltage range and voltage limit setting.

Syntax: `[SOURce:]VOLTage[:LEVel][:IMMediate][:AMPLitude] <NRf+>`

Parameters: 0 to 300

*RST Value: 0

Example: `VOLT 110` sets the ac rms output voltage to 110V.

Query Syntax: `[SOURce:]VOLTage[:LEVel][:IMMediate][:AMPLitude]?`

Return Parameters: `<NR2>`

Query Example: `VOLT?` returns the setting value of output voltage.

VOLTage:EPRogram

Description: This command enables or disables the external program mode. During external program mode, the ac rms output voltage is controlled by an external reference dc voltage.

Syntax: `[SOURce:]VOLTage:EPRogram[:STATe] <Boolean>`

Parameters: 0 | 1 | OFF | ON

*RST Value: OFF

Example: `VOLT:EPR ON` enables external program mode

Query Syntax: `[SOURce:]VOLTage:EPRogram[:STATe]?`

Return Parameters: 0 | 1

Query Example: `VOLT:EPR?` returns the state of external program mode

VOLTage:LIMit

Description: This command sets the maximum bounds on the ac rms output voltage value. Setting a larger output voltage value will cause the output to be clamped to the LIMit value. Syntax: `[SOURce:]VOLTage:LIMit[:AMPLitude] <NRf+>`

Parameters: 0 to 300

*RST Value: 300

Example: `VOLT:LIM 130` sets the ac rms output voltage limit to 130V.

Query Syntax: `[SOURce:]VOLTage:LIMit[:AMPLitude]?`

Return Parameters: `<NR2>`

Query Example: `VOLT:LIM?` returns the setting value of output voltage limit.

VOLTage:RANGe

Description: This command sets the output voltage range of the ac source. Two ranges are available: 150V and 300V range. When setting output voltage to 150V range, if the setting of output voltage is greater than 150V, then the output voltage setting will be clamped to 150V. Setting an output voltage range will disable the AUTO range mode.

Syntax: `[SOURce:]VOLTage:RANGe <NRf+>`

Parameters: 150 | 300

*RST Value: 150

Example: `VOLT:RANG 300` sets the output voltage to 300V range.

Query Syntax: `[SOURce:]VOLTage:RANGe?`

Return Parameters: <NR1>

Query Example: VOLT:RANG? returns the current output range.

VOLTage:RANGe:AUTO

Description: This command enables or disables the AUTO output voltage range mode. In AUTO mode, setting an output voltage greater than 150 volt will switch the output range to 300V range, otherwise the 150V range is selected.

Syntax: [SOURce:]VOLTage:RANGe:AUTO <Boolean>

Parameters: 0 | 1 | OFF | ON

*RST Value: OFF

Example: VOLT:RANG:AUTO ON enables the AUTO output voltage range mode.

Query Syntax: [SOURce:]VOLTage:RANGe:AUTO?

Return Parameters: 0 | 1

Query Example: VOLT:RANG:AUTO? returns the condition of AUTO range mode.

STATus:PRESet

Description: This command sets the PTR, NTR and Enable registers of Questionable and Operation status as follow: all defined bits of PTR register to 1, all bits of NTR and Enable register to 0.

Syntax: STATus:PRESet

Parameters: None

Example: STAT:PRES preset the PTR, NTR and Enable registers of Questionable status.

STATus:OPERation?

Description: This query returns the content of the Operation Event register. The Operation Event register is cleared when read or by the common command *CLS.

Query Syntax: STATus:OPERation[:EVENT]?

Parameters: None

Return Parameters: <NR1>

STATus:OPERation:CONDition?

Description: Returns the content of Operation Condition register. The Condition register reflects the TRUE or FALSE state of Operation status.

Query Syntax: STATus:OPERation:CONDition?

Parameters: None

Return Parameters: <NR1>

STATus:OPERation:ENABle

Description: This command sets the enable mask, which allows true conditions in the Operation Event register to be reported in the Operation summary bit (OPER) of the Status Byte register.

Syntax: STATus:OPERation:ENABle <NRf>

Parameters: 0 to 32727

Query Syntax: STATus:OPERation:ENABle?

Return Parameters: <NR1>

Bit configuration of Questionable status register

Bit Position	15-12	11	10	9	8	7-4	3	2	1	0
Condition	---	lpk	OPP	FAN	OCP	---	OTP	---	SHT	UVP
Bit Weight		2048	1024	512	256		4		2	1

Remark: lpk : Peak current limit protection OCP : Over current protection
 OPP : Over power protection OTP : Over temperature protection
 FAN : Fan failure SHT : Short circuit protection
 UVP : Under voltage protection

STATus:QUEStionable?

Description: This query returns the content of the Questionable Event register. The Event register latches events that are passed by Questionable PTR and/or NTR filter. It is cleared when read or by the common command *CLS.

Query Syntax: STATus:QUEStionable[:EVENT]?

Parameters: None

Return Parameters: <NR1>

Query Example: STAT:QUES? returns and clears the Questionable Event register.

STATus:QUEStionable:CONDition?

Description: Returns the content of the Questionable Condition register. The Condition register reflects the TRUE or FALSE state of Questionable status.

Query Syntax: STATus:QUEStionable:CONDition?

Parameters: None

Return Parameters: <NR1>

Query Example: STAT:QUES:COND? returns the Questionable Condition register.

STATus:QUEStionable:ENABle

Description: This command sets the enable mask which allows true conditions in the Questionable Event register to be reported in the Questionable summary (QUES) bit of the Status Byte register.

Syntax: STATus:QUEStionable:ENABle <NRf>

Parameters: 0 to 32727

Example: STAT:QUES:ENAB 8 enables OTP event to be reported in status byte.

Query Syntax: STATus:QUEStionable:ENABle?

Return Parameters: <NR1>

Query Example: STAT:QUES:ENAB? returns the content of Questionable Enable register.

STATus:QUEStionable:NTRansition

STATus:QUEStionable:PTRansition

Description: These command sets the content of the Questionable NTR (negative transition 1-to-0) and PTR (positive transition 0-to-1) registers. These registers determine what type of transition in the Condition register shall set the corresponding bit in the Event register.

Syntax: STATus:QUEStionable:NTRansition <NRf>

STATus:QUEStionable:PTRansition <NRf>

Parameters: 0 to 32727

Example: STAT:QUES:NTR 8 enables OTP event bit to be set as 1-to-0.

STAT:QUES:PTR 2 enables SHT event bit to be set as 0-to-1.

Query Syntax: STATus:QUEStionable:NTRansition?

STATus:QUEStionable:PTRansition?

Return Parameters: <NR1>

Query Example: STAT:QUES:PTR? returns the content of Questionable PTR register.

SYSTem:ERRor?

Description: This query returns the next error number followed by its corresponding error description string from the error queue. As errors are detected, they are placed in the queue. The queue is first in, first out. If the queue overflows, the last error in the queue is replaced with error -350, "Queue overflow". Reading an error from the head of the queue removes that error from the queue. When all errors have been read, further error queries shall return 0, "No error".

Query Syntax: SYSTem:ERRor?

Parameters: None

Return Parameters: <NR1>, <SRD>

Query Example: SYSR:ERR? returns the next error number and description.

SYSTem:LOCal

Description: This command sets the ac source to local state, which enables the front panel controls. It can only be used with the RS-232 interface.

Syntax: SYSTem:LOCal

Parameters: None

Example: SYST:LOC sets the ac source to local state.

SYSTem:REMote

Description: Sets the ac source to remote state, which disables the front panel controls except the local key. Pressing the local key while in the remote state returns the ac source to the local state. This command can only be used with the RS-232 interface.

Syntax: SYSTem:REMote

Parameters: None

Example: SYST:REM sets the ac source to remote state.

SYSTem:RWLock

Description: Sets the ac source to remote-lockout state, which disables the front panel controls including the local key. This command can only be used with the RS-232 interface.

Syntax: SYSTem:RWLock

Parameters: None

Example: SYST:RWL sets the ac source to remote-lockout state.

***CLS, Clear Status Command**

Description: This command clears all Event registers summarized in the status byte (Standard Event status register, Questionable Status Event register), and clears the error queue. If the *CLS command immediately follows a program message terminator, the output queue and the MAV bit are also cleared.

Syntax: *CLS

Parameters: None

***ESE, Standard Event Status Enable Command**

Description: This command sets the enable mask which allows true conditions in the Standard Event Status register (ESR) to be reported in the Event Summary Bit (ESB) of the Status Byte register. If a bit is 1 in the Standard Event Status Enable register (ESE) and its associated event bit transitions to true, the ESB of the Status Byte register (STB) is then set true. The bit configuration of ESE

is the same as the ESR (see *ESR).

Syntax: *ESE <NRf>

Parameters: 0 to 255

Example: *ESE 48

enables the CME and EXE events of ESR

Query Syntax: *ESE?

Return Parameters: <NR1>

Query Example: *ESE?

returns the content of ESE.

*ESR?, STANDARD EVENT STATUS REGISTER QUERY

Description: This query returns the content of the Standard Event Status Register (ESR) and then clears it.

Bit configuration of Standard Event Status Register

Bit position	7	6	5	4	3	2	1	0
Condition	PON	---	CME	EXE	DDE	QYE	---	OPC
Bit Weight	128		32	16	8	4	2	1

Remark: PON: Power on

CME: Command error

DDE: Device-dependent error

QYE: Query error

EXE: Execution error

OPC: Operation complete

Query Syntax: *ESR?

Parameters: None

Return Parameters: <NR1>

Query Example: *ESR?

returns the content of ESR.

*IDN?, Identification Query

Description: This query returns ASCII string which organized into four fields separated by commas to identify the ac source.

Query Syntax: *IDN?

Parameters: None

Return Parameters:

Field 1: Manufacturer

Field 2: Model

Field 3: Serial Number

Field 4: Firmware Level or equivalent

Query Example: *IDN?

Return Example: CHROMA ATE, 6404,0,A.00.01

*OPC, Operation Complete Command

Description: This command causes the ac source to set the OPC bit of Standard Event Status Register (ESR) when all pending operations are completed.

Syntax: *OPC

Parameters: None

*OPC?, Operation Complete Query

Description: This query returns an ASCII "1" when all pending operations are completed.

Query Syntax: *OPC?

Parameters: None

Return Parameters: 1

*RST, RESET COMMAND

Description: This command resets the ac source to the following states:

OUTP

OFF

CURR:PEAK

MAX

***WAI, Wait-to-continue**

Description: This command prevents the ac source from executing any further command until all pending operations are completed.

Syntax: *WAI

Parameters: None



CHROMA ATE INC.

致茂電子股份有限公司

66 Hwaya 1st Rd.

Kuei-shan Hwaya Technology Park

Taoyuan County 33383, Taiwan

33383 台灣桃園縣龜山鄉

華亞科技園區華亞一路 66 號

T +886-3-327-9999

F +886-3-327-8898

Mail: info@chromaate.com

<http://www.chromaate.com>